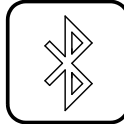
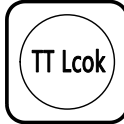
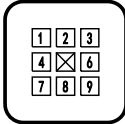


User Manual

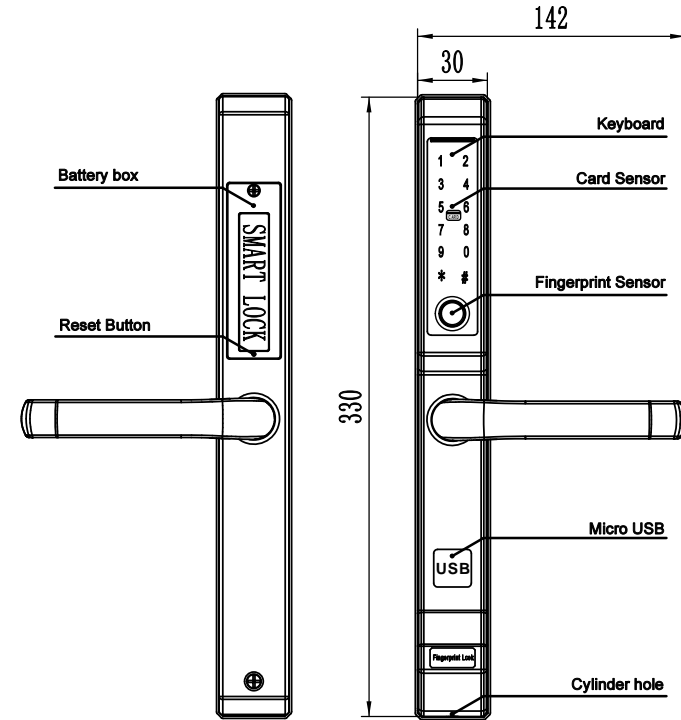
SMART DOOR LOCK



Catalogue

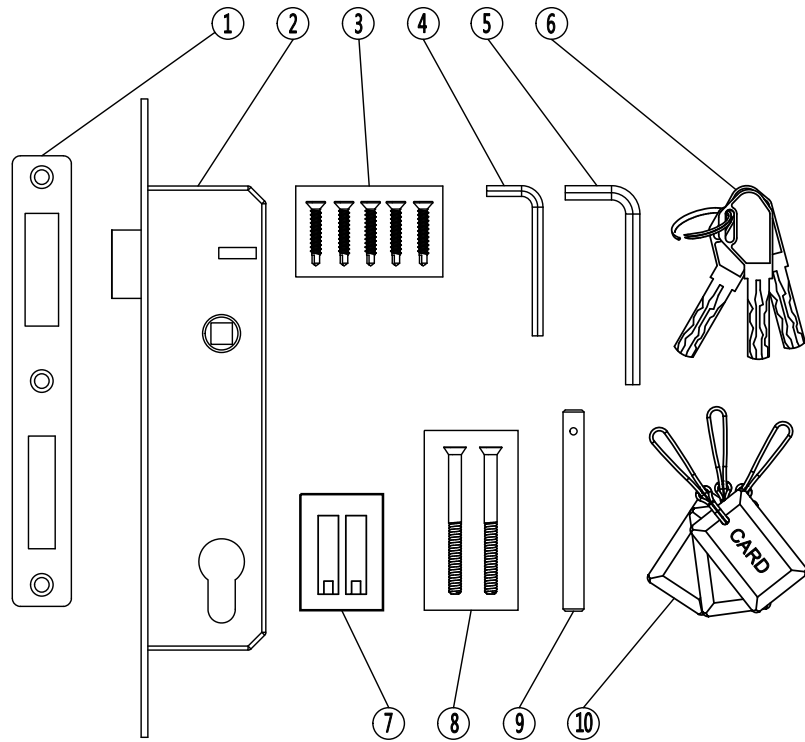
1. Technical Parameter.....	01
2. Accessories	02
3. Installation.....	03
4. System Settings	05

1. Technical Parameter



Product Name	Fingerprint door lock
Main Material	304 stainless steel
Color	Silver/ Black/ Red bronze/ Gold
Unlock Way	Fingerprint/ Card/ Password/ Key/ TTlock app
Capacity	100 fingerprints/ 1000 cards/ 200 group code
Waterproof Level	IP65
Size	L330mm*W142mm*H56mm
Battery	4 pcs AA Alkaline Batteries, DC 6V
Bluetooth	5.0 BLE
Power Consumption	Static Current: <45μA; Dynamic Current:<200mA
Working Temperature	-20°C - +60°C
Working Humidity	20% - 92%
Door Type	Aluminum glass door/ wooden door/ metal door
Door Thickness	35mm-120mm
Emergency Power	Micro-USB portable charger
Cylinder	C-class cylinder
Mortise Type	3085/3585/4085/4585/5085/6085/7085mm, single point/ Multi-point/ Double hooks
Audio prompt	Yes
System support	Android 4.3/ IOS7.0 or above
Certification	CE RoHS FCC
Language	Chinese, English, Spanish, Portuguese, Malay, Russian, French, Serbian, Japanese, Korean, Italian, Vietnamese, German, Dutch, Slovak, Polish, Hungarian, Czech, Arabic, Bulgarian, Swedish, Greek, Turkish, Lithuanian, Estonian, Ukrainian, Danish, Hebrew

2. Accessories

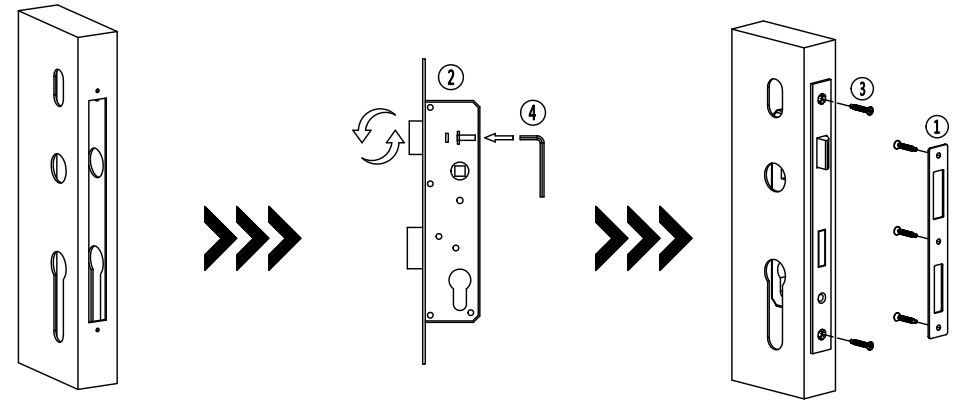


No.	Name	QTY	Note
1	Strike plate	1	
2	Mortise	1	
3	Self-tapping screw	4	
4	3mm Allen key	1	
5	4mm Allen key	1	
6	Key	3	
7	Mounting nut	2	
8	Mounting screw	2	
9	Spindle	1	
10	Card	3	

3. Installation

Step-01: Adjust the latch bolt of mortise - Install the mortise

- Drill holes and grooves in the door according to the installing holes drawing.
- Adjust the latch bolt of the mortise in the correct direction base on the opening direction of the door.
- Install the mortise.



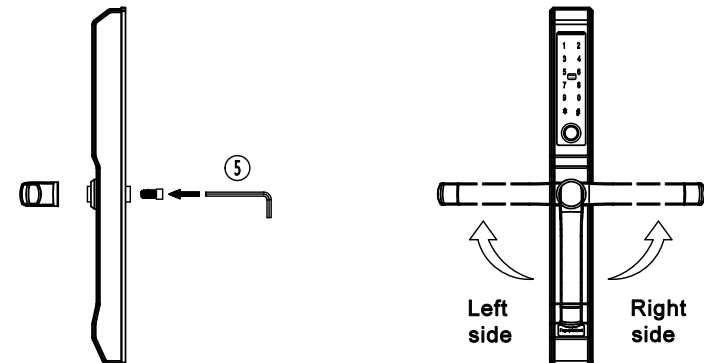
a. Drill holes and grooves.

b. Loosen the screw and turn the latch bolt to the correct direction and tighten the screw.

c. Drill the door hole and install strike plate and mortise.

Step-02: Adjust the handle direction - Prepare the front panel

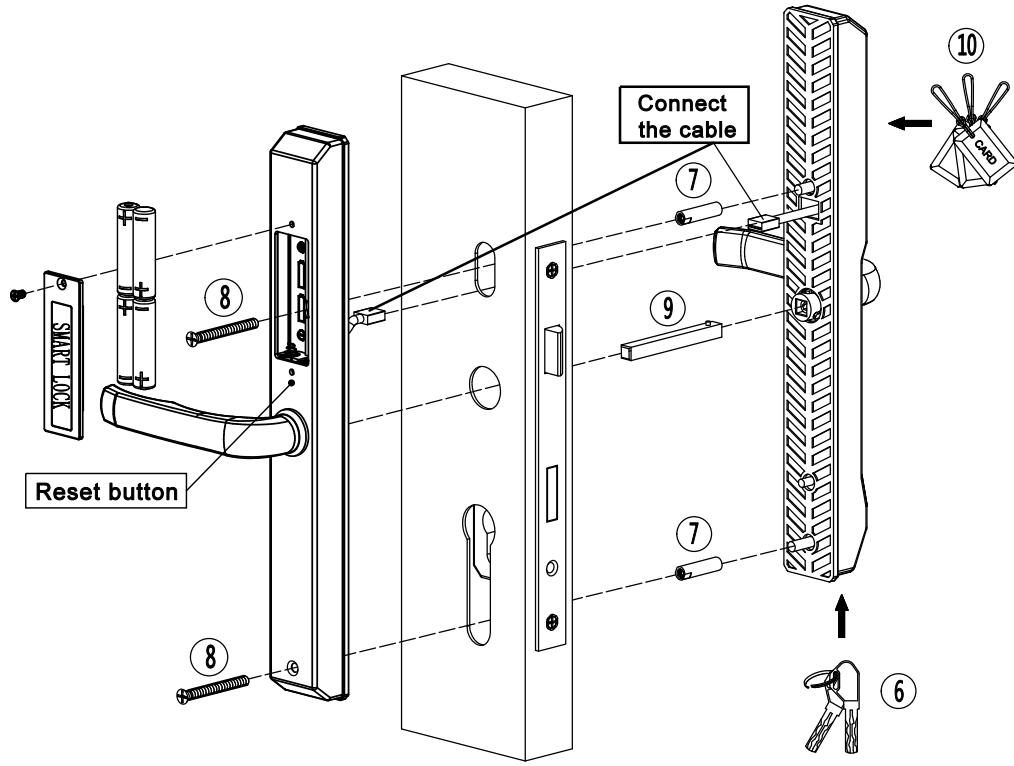
- Adjust the handle direction with Allen key and mounting screw.
- Use portable grinder to cut the square axis into suitable length according to the thickness of the door, and then insert it in the square hole of the front panel. The regular length of the spindle is 25mm-30mm longer than the thickness of the door.
- Fix the mounting nut of the front panel.



3. Installation

Step-03: Install the panels on the door - Install the batteries

- Put the spindle of the front panel in the square hole of the mortise .
- Connect the cable between the front panel and the back panel.
- Adjust the position between the lock and door and tighten the mounting screws.
- Put the batteries in the power box in correct position.



Step-04: Reset the lock - choose the handle direction in TT lock APP

- Press the reset button, input " 000# " .
- Download and install TT lock APP, turn on the bluetooth of the mobile phone, use the APP to add a smart lock, and then select the direction to open the door.

Open to right



Open to left



4. System Settings

Scan the QR code below to download the APP



Search Google play or APPLE Store with TTLOCK



TTLOCK_APP Instruction